

PLEASE CHECK WWW.MOLEX.COM FOR LATEST PART INFORMATION

Part Number: [0751341001](#)
Status: **Active**
Overview: [dms59](#)
Description: 1.27mm (.050") Pitch DMS-59® Receptacle, Shielded, Right Angle

Documents:

[3D Model](#) [Product Specification PS-75134-001 \(PDF\)](#)
[Drawing \(PDF\)](#) [RoHS Certificate of Compliance \(PDF\)](#)

General

Product Family	I/O Connectors
Series	75134
Application	Wire-to-Board
Component Type	Receptacle
Overview	dms59
Product Name	DMS59®
Type	N/A

Physical

Circuits (Loaded)	59
Circuits (maximum)	59
Color - Resin	Black
Lock to Mating Part	Yes
Material - Metal	Beryllium Copper
Material - Plating Mating	Gold, n/a
Material - Plating Termination	Tin
Material - Resin	High Temperature Thermoplastic
Orientation	Right Angle
PC Tail Length (in)	0.092 In
PC Tail Length (mm)	2.34 mm
PCB Retention	Yes
PCB Thickness Recommended (in)	0.062 In
PCB Thickness Recommended (mm)	1.60 mm
Packaging Type	Tube
Panel Mount	Yes
Pitch - Mating Interface (in)	0.050 In
Pitch - Mating Interface (mm)	1.27 mm
Plating min: Mating (µin)	2
Plating min: Mating (µm)	0.05
Plating min: Termination (µin)	100
Plating min: Termination (µm)	2.5
Polarized to Mating Part	Yes
Surface Mount Compatible (SMC)	Yes
Temperature Range - Operating	-20°C to +80°C
Termination Interface: Style	N/A, Surface Mount
Wire Size AWG	N/A

Electrical

Current - Maximum per Contact	1A
Shielded	Yes
Voltage - Maximum	40V

Solder Process Data

Duration at Max. Process Temperature (seconds)	40
Lead-free Process Capability	Wave Capable (TH only)
Max. Cycles at Max. Process Temperature	3

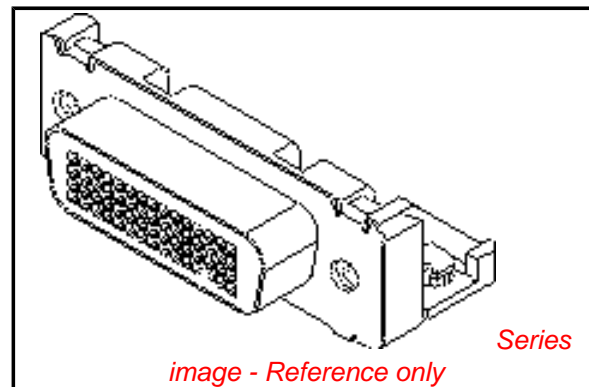


image - Reference only

EU RoHS

**ELV and RoHS
Compliant**
**REACH SVHC
Contains SVHC: No**
**Halogen-Free
Status**

China RoHS



Not Reviewed

**Need more information on product
environmental compliance?**

Email productcompliance@molex.com
For a multiple part number RoHS Certificate of
Compliance, [click here](#)

Please visit the [Contact Us](#) section for any
non-product compliance questions.

Search Parts in this Series

75134Series

Mates With

75135

Use With

Hex Screw Kit Packaged with screwlock
70982-1003 (4-40 internal thread)

Process Temperature max. C 245

Material Info

Reference - Drawing Numbers

Packaging Specification	PK-70873-0686
Product Specification	PS-75134-001
Sales Drawing	SD-75134-001

This document was generated on 05/28/2010

PLEASE CHECK WWW.MOLEX.COM FOR LATEST PART INFORMATION

ITEM NUMBER	DIMENSION "A"	HEXAGONAL SCREWLOCKS PACKAGED WITH CONNECTORS	SCREWLOCK ITEM NUMBER (SEE SD-70982-****)	PACKAGED PER PACKAGING SPECIFICATION
75134-1000	.092±.010/2.34±0.25	NO		PK-70873-0291
75134-1001	.092±.010/2.34±0.25	YES	70982-1003; 4-40 INTERNAL THD	PK-70873-0686

NOTES:

1) MATERIALS:

HOUSING: GLASS FILLED LCP (LIQUID CRYSTAL POLYMER), UL94 V-0, COLOR NATURAL.
 STICK HOUSING: GLASS FILLED LCP (LIQUID CRYSTAL POLYMER), UL94 V-0, COLOR BLACK.
 TERMINALS: COPPER ALLOY.
 OUTER SHELL: DEEP DRAWN STEEL.
 HEXAGONAL SCREWLOCK: STEEL.

2) PLATING :

TERMINAL: SELECTIVE GOLD (Au) FLASH IN CONTACT AREA;
 THICKNESS= 2 TO 10 MICROINCHES/0.05 TO 0.25 MICROMETERS;
 SELECTIVE TIN (Sn) ALLOY IN THE PC TAIL AREA;
 THICKNESS=100 MICROINCHES/2.54 MICROMETERS MINIMUM;
 NICKEL (Ni) UNDERPLATE OVER ENTIRE PIN.

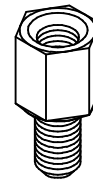
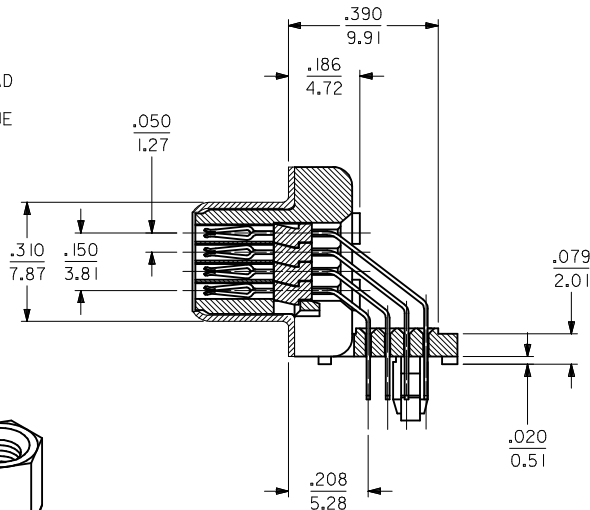
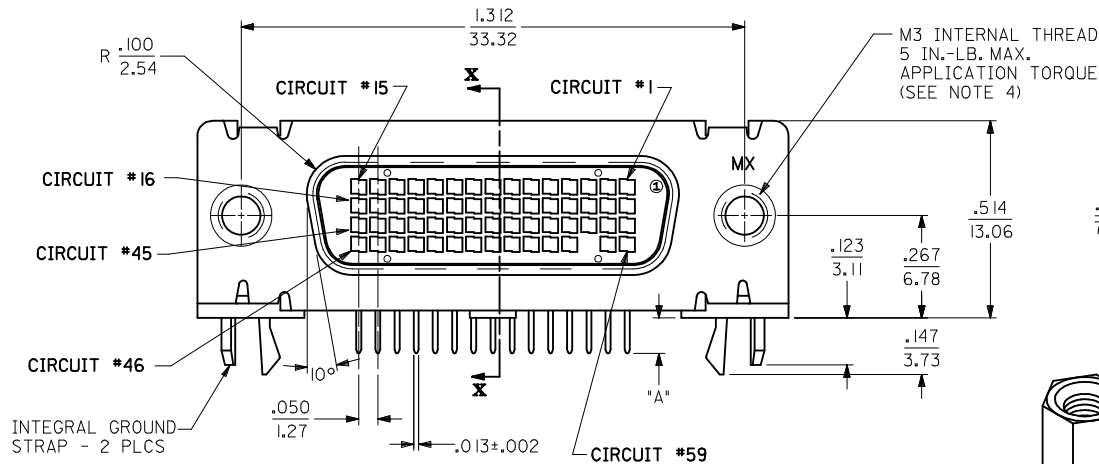
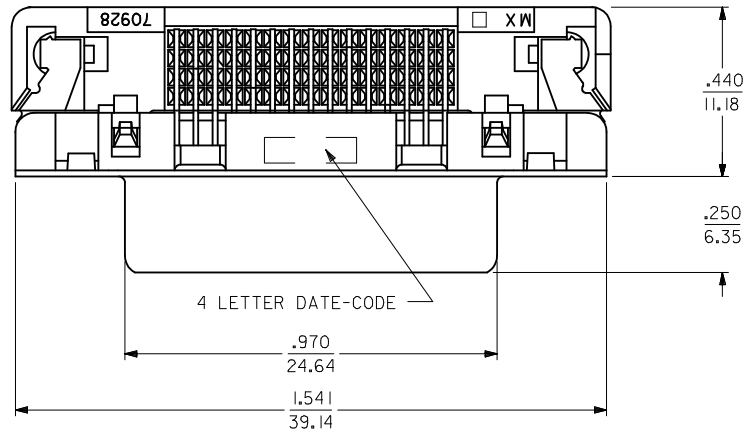
OUTER SHELL: 150 MICROINCHES/3.81 MICROMETERS MINIMUM OF BRIGHT TIN
 OVER 50 MICROINCHES/1.27 MICROMETERS MINIMUM OF NICKEL
 OVER COPPER FLASH (OPTIONAL).

3) CONFORMS TO PRODUCT SPECIFICATION PS-75134-001.

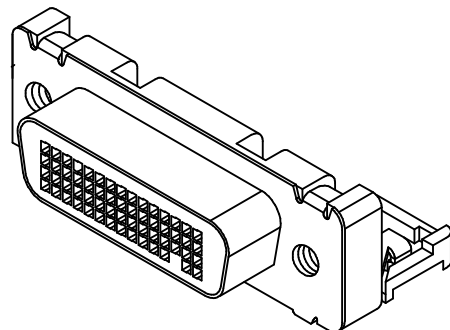
4) THREAD GAGE MAY REQUIRE UP TO 1 INCH-POUND/0.113 NEWTON-METER OF TORQUE DURING GAGING PROCESS.

5) SEE CHART FOR PACKAGING.

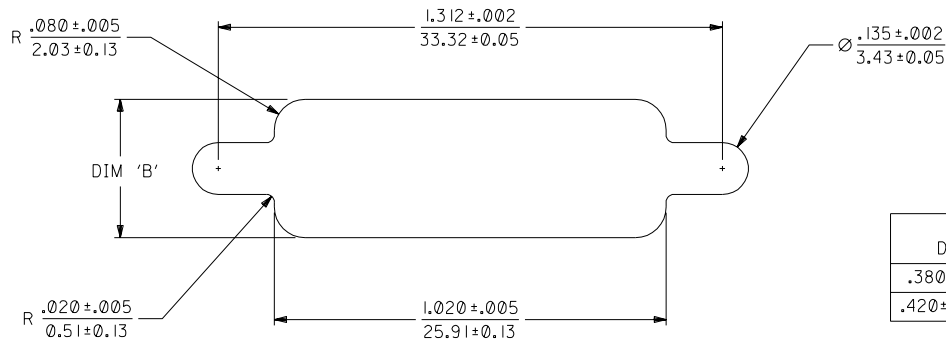
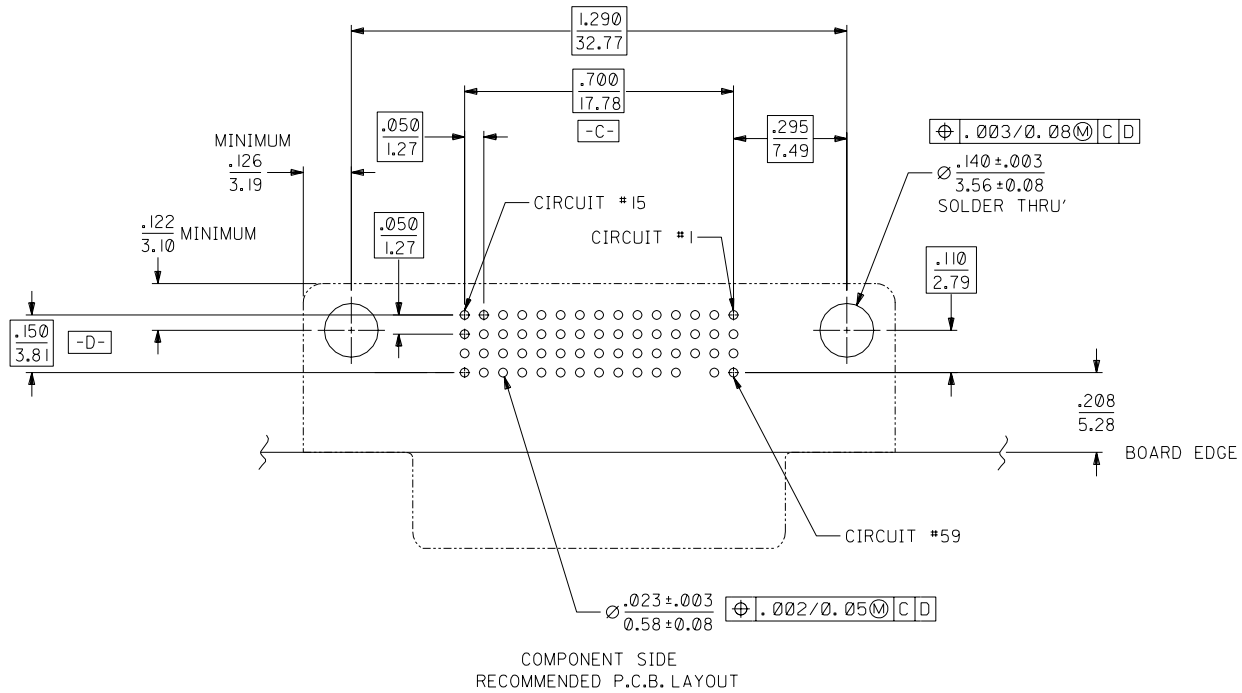
6) PART COMPLIES WITH CLASS B OF COSMETIC SPECIFICATION PS-45499-002



OPTIONAL HEXAGONAL SCREWLOCK



MODIFY T/A ACTUAL EC NO: UCP2009-2635 DRWING:MORGAN 2009/04/29 CHKD:SDANNELLEY 2009/04/30 APPR:SMILLER 2009/04/30	QUALITY SYMBOLS ▽=0 ▽=0	GENERAL TOLERANCES (UNLESS SPECIFIED)		DIMENSION STYLE IN/MM	SCALE INCH	DESIGN UNITS INCH	THIRD ANGLE PROJECTION	
		mm	INCH	DRAWN BY DMORGAN	DATE 2002/10/18	TITLE SALES DMS-59 RECEPTACLE LFH .050/1.27 PITCH RIGHT ANGLE I/O 59 CKT		
		4 PLACES ± --- ± ---	3 PLACES ± --- ± .010	CHECKED BY BBARKER	DATE 2002/10/18	MOLEX INCORPORATED		
		2 PLACES ± 0.25 ± .015	1 PLACE ± 0.38 ± ---	APPROVED BY SMILLER	DATE 2002/10/18	MOLEX INCORPORATED		
ANGULAR ±1/2°		DRAFT WHERE APPLICABLE MUST REMAIN WITHIN DIMENSIONS		MATERIAL NO. SEE TABLE	DOCUMENT NO. SD-75134-001	SHEET NO. 1 OF 2		
THIS DRAWING CONTAINS INFORMATION THAT IS PROPRIETARY TO MOLEX INCORPORATED AND SHOULD NOT BE USED WITHOUT WRITTEN PERMISSION								



DIMENSION 'B'	MAXIMUM PANEL THICKNESS
.380 ± .005 / 9.65 ± 0.13	.039 / 0.99
.420 ± .005 / 10.67 ± 0.13	.064 / 1.63

RECOMMENDED PANEL CUT-OUT

INITIAL RELEASE EC NO. UCP2003-0543 DRWN:DMORGAN 02/10/18 CHK: BBARKER 02/10/18 APPR:SMILLER 02/10/18	DESCRIPTION MAJOR CRITICAL	QUALITY SYMBOLS MAJOR CRITICAL		GENERAL TOLERANCES: (UNLESS SPECIFIED)		SCALE 4:1	DESIGN UNITS <input type="checkbox"/> mm <input checked="" type="checkbox"/> INCH	DIMENSIONS: <input type="checkbox"/> mm <input checked="" type="checkbox"/> INCH <input type="checkbox"/> mm ONLY	SHT 2	REV 2	
		4 PLACES ±0. ±.	DRAWN BY & DATE DMORGAN 02/10/18	THIRD ANGLE PROJECTION				TITLE: SALES DMS-59 RECEPTALCE LFH .050/1.27 PITCH RIGHT ANGLE I/O 59 CKT			
		3 PLACES ±0. ±.010	CHECKED BY & DATE BBARKER 02/10/18	MOLEX INCORPORATED				MATERIAL NO. DRAWING NO.			
		2 PLACES ±0.25 ±.015	APPROVED BY & DATE SMILLER 02/10/18	CAD FILENAME				SEE CHART SD-75134-001			
1 PLACE ±0.38 ±.	ANGLAR: ± 1/2 °	DRAFT WHERE APPLICABLE MUST REMAIN WITHIN DIMENSIONS				THIS DRAWING CONTAINS INFORMATION THAT IS PROPRIETARY TO MOLEX INCORPORATED AND SHOULD NOT BE USED WITHOUT WRITTEN PERMISSION.				SHEET NO. 2	SIZE C